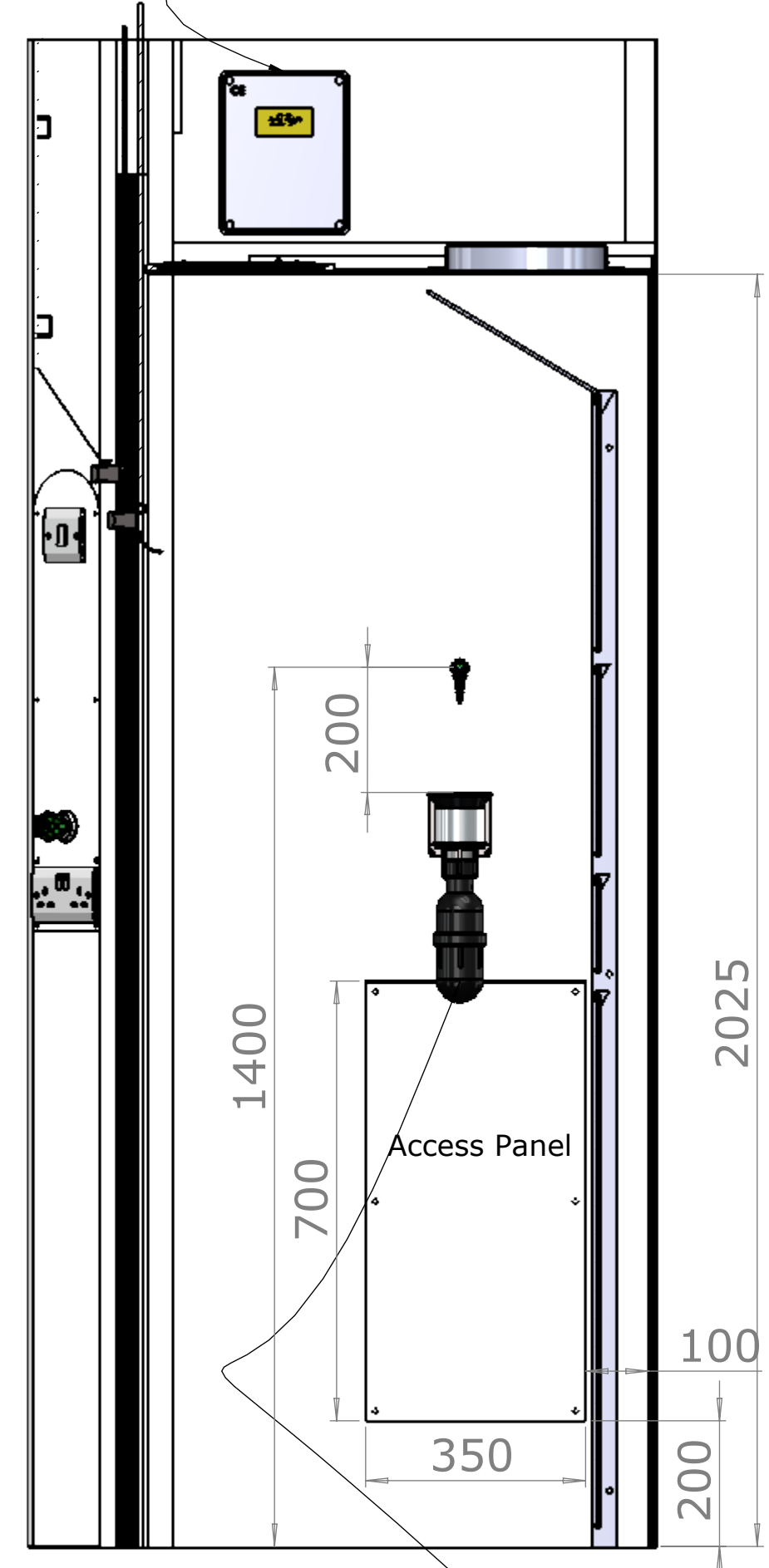
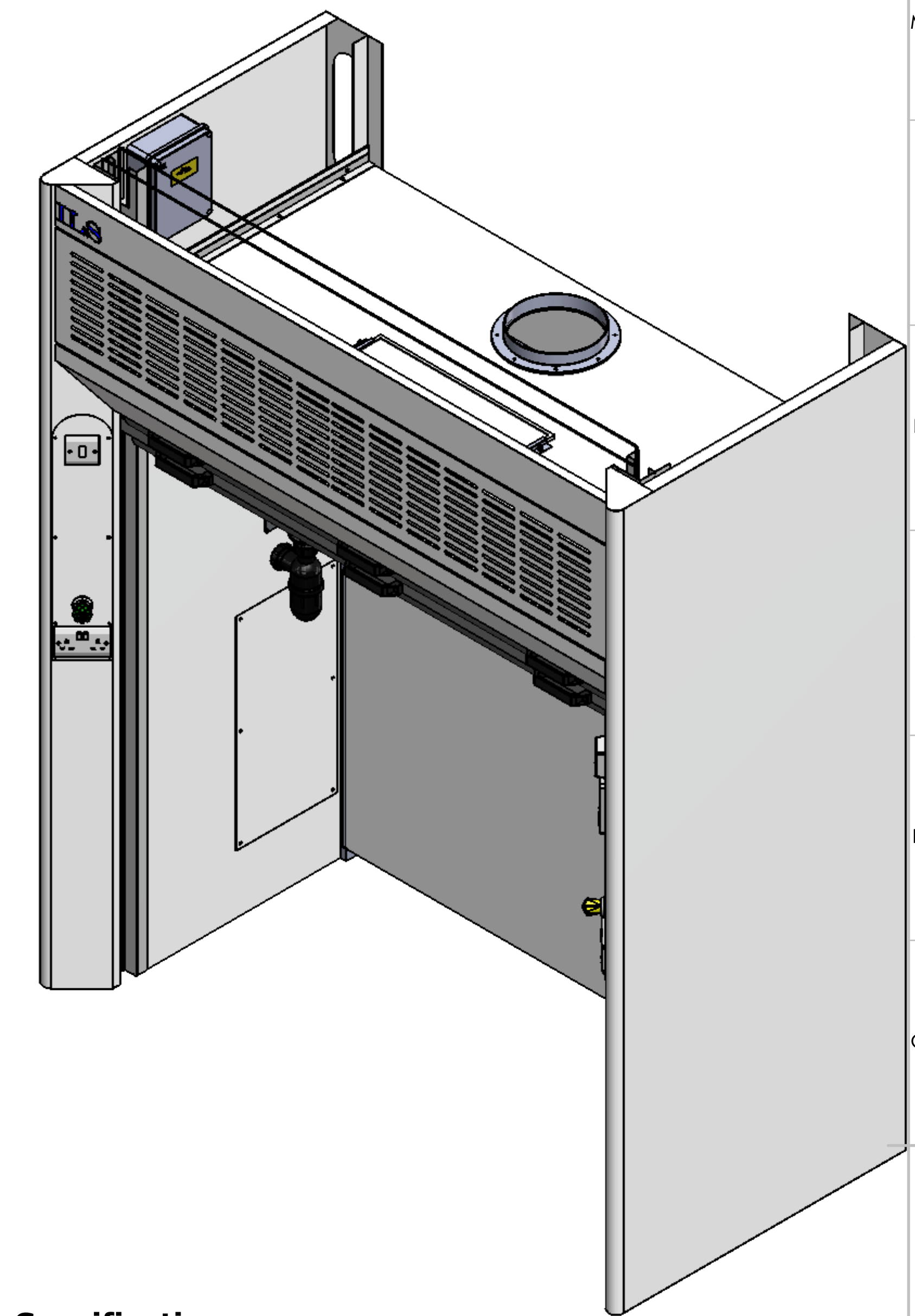
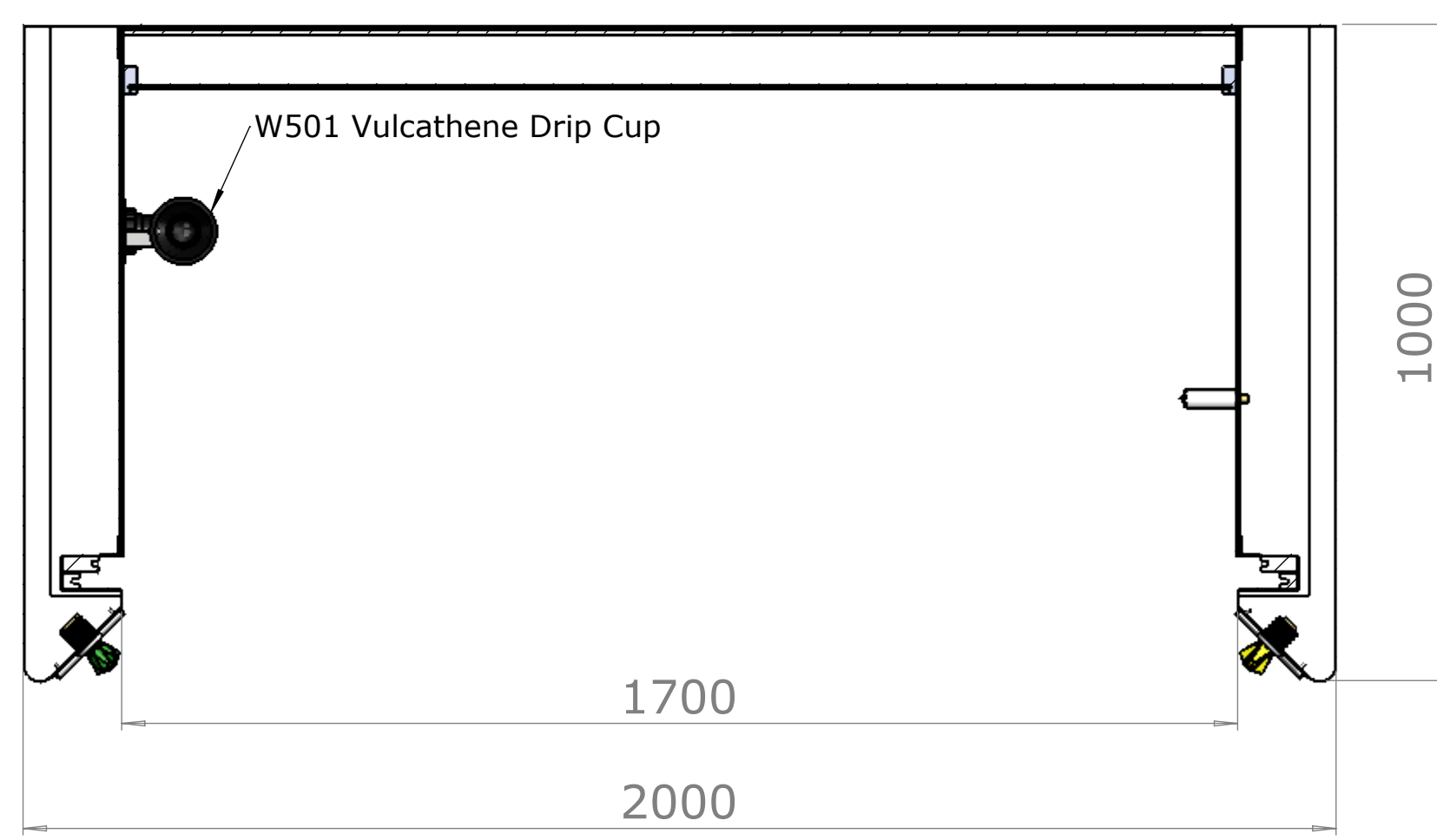
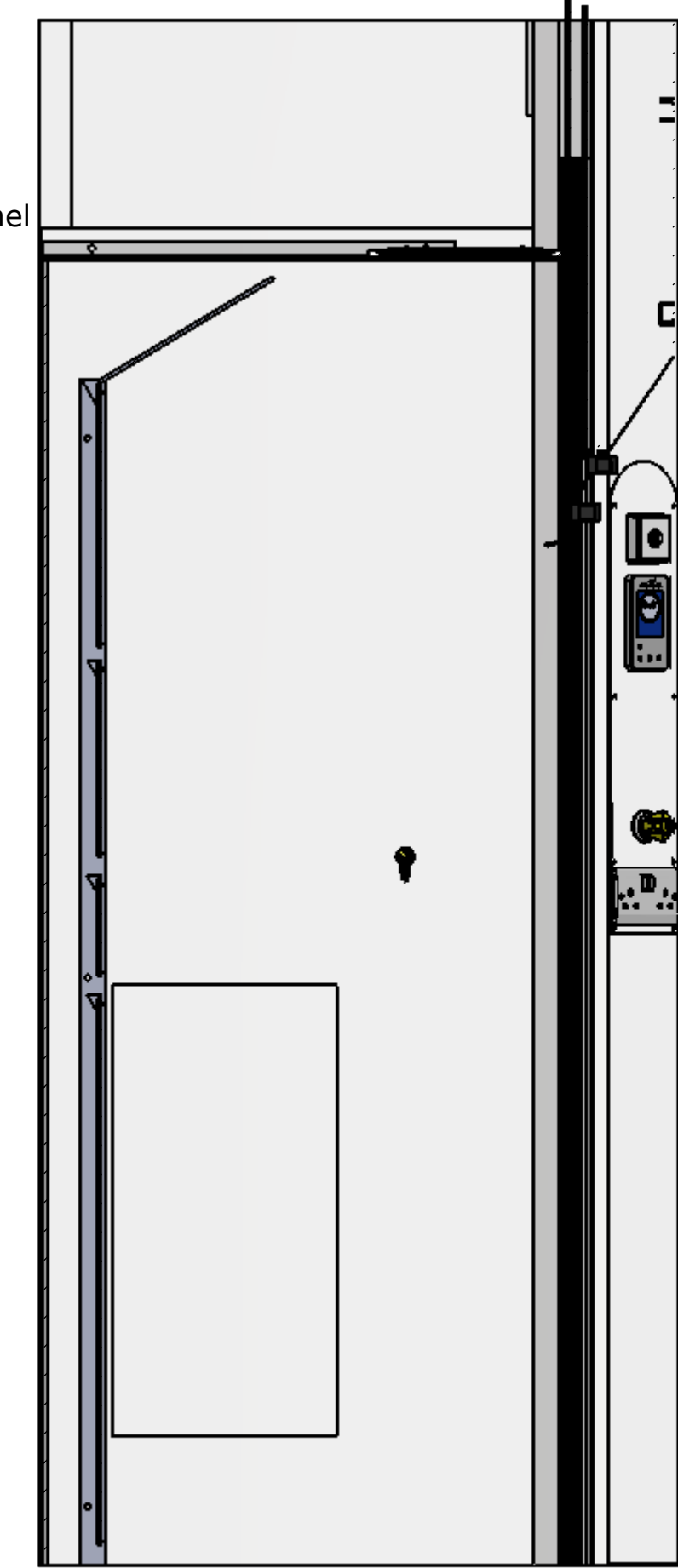
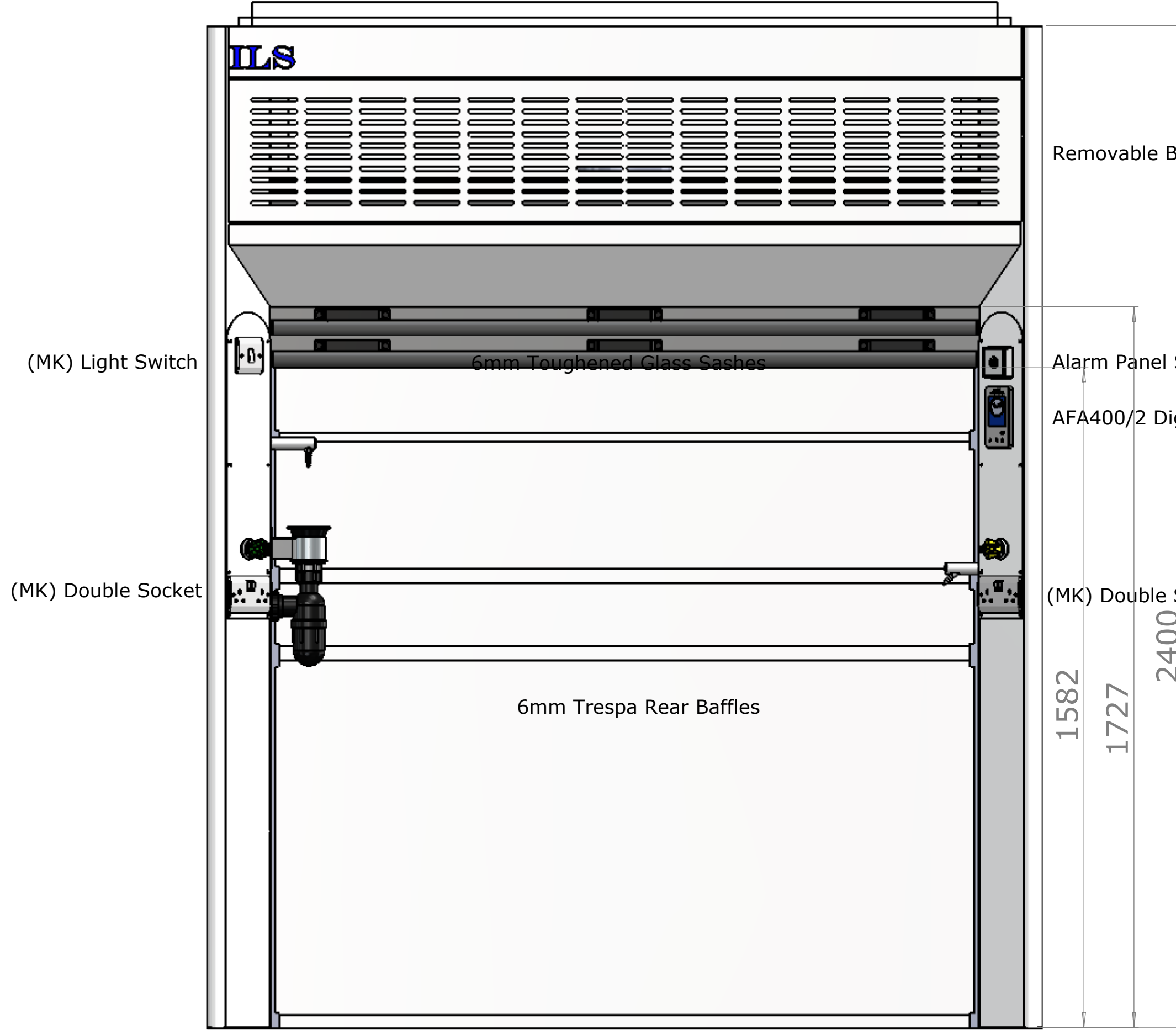


Isolated 230V / 16A electrical supply required.
Final connections to the junction box by electrical contractor



Removable Access Panel
Cold water flexible hose with 15mm copper tail
1-1/2" Vulcathene drain connection



Specification

Fume cupboard: Powder coated white RAL 9016
 Linings: 6mm Trespa TopLab BASE - White E0-00
 Baffles: 6mm Trespa TopLab BASE - White E0-00
 Workbase: NONE
 Sashes: 6mm Toughened Glass
 Aerodynamic Sash Handle: Light Grey (RAL 7035)

Services

- 2 x Double switched socket outlets
- 1 x LED Light panel (4000K) / Light switch
- 1 x AFA 4000/2 Alarm panel
- 2 x Cold water valve and outlet (BROEN Uniflex)
- 2 x W501 Vulcathene drip cup
- 2 x W561 Vulcathene bottle trap
- 1 X Vacuum valve and outlet (BROEN Uniflex)
- 1 X Compressed Air valve and outlet (BROEN Uniflex)

K8 Series
Type Tested to BS EN14175

			DO NOT SCALE DRAWING		REVISION
			Client: *****		
The Ivy & Juniper Units New York Industrial Estate Summerbridge Harrogate North Yorkshire HG3 4LA 01423 781101			Title:		
DRAWN Tony Cox			DATE 09/05/2022		
CHK'D Peter Schofield			SIGNATURE		
APPV'D			Project: *****		
			Dwg No: K8-WI Fume Cupboard		A1
			Scale: 1:10		