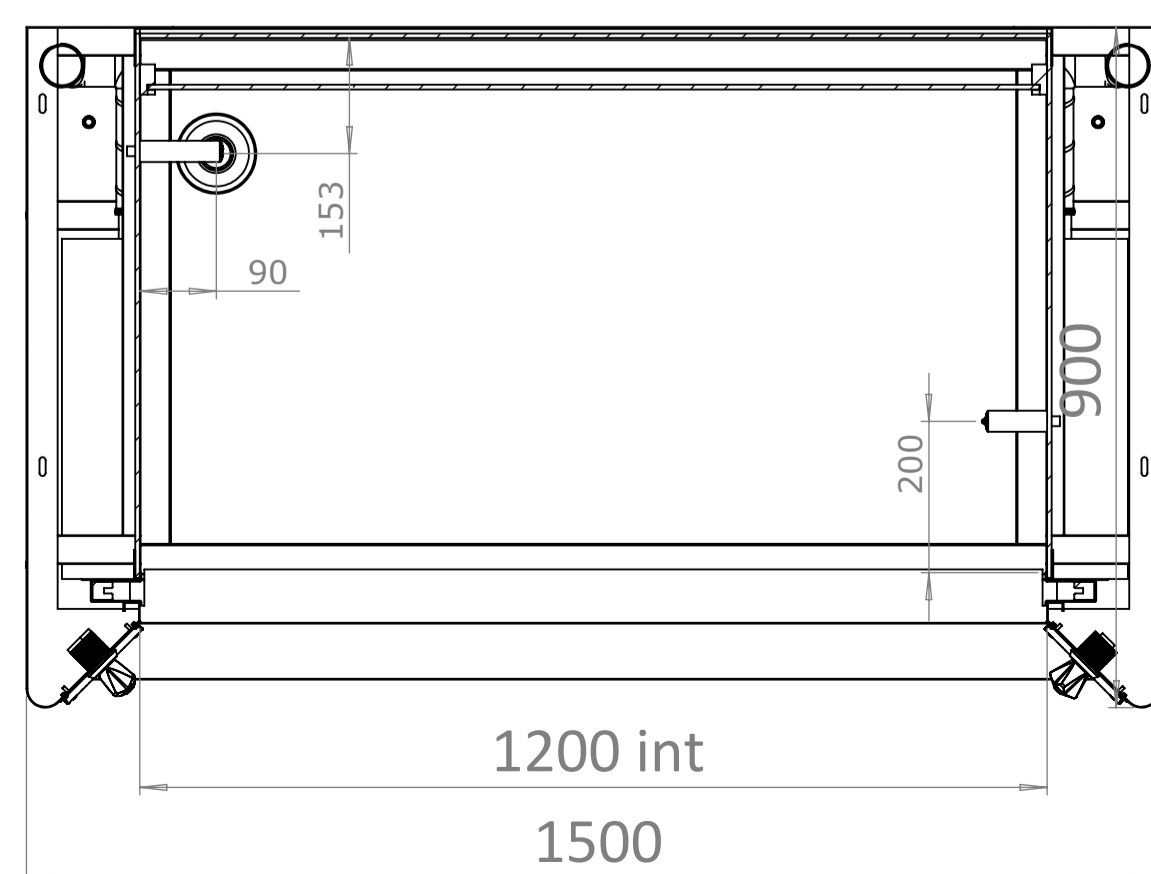
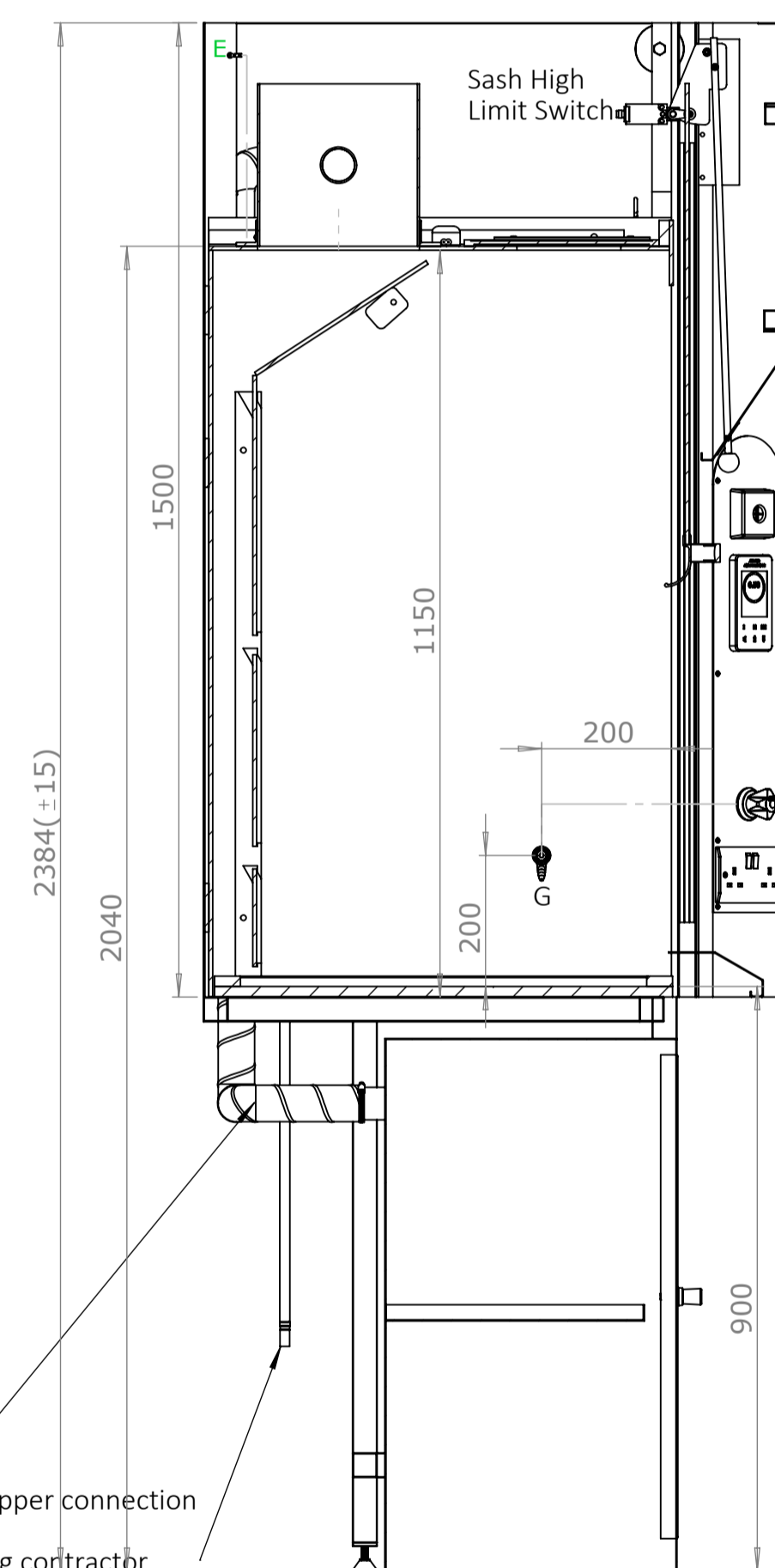
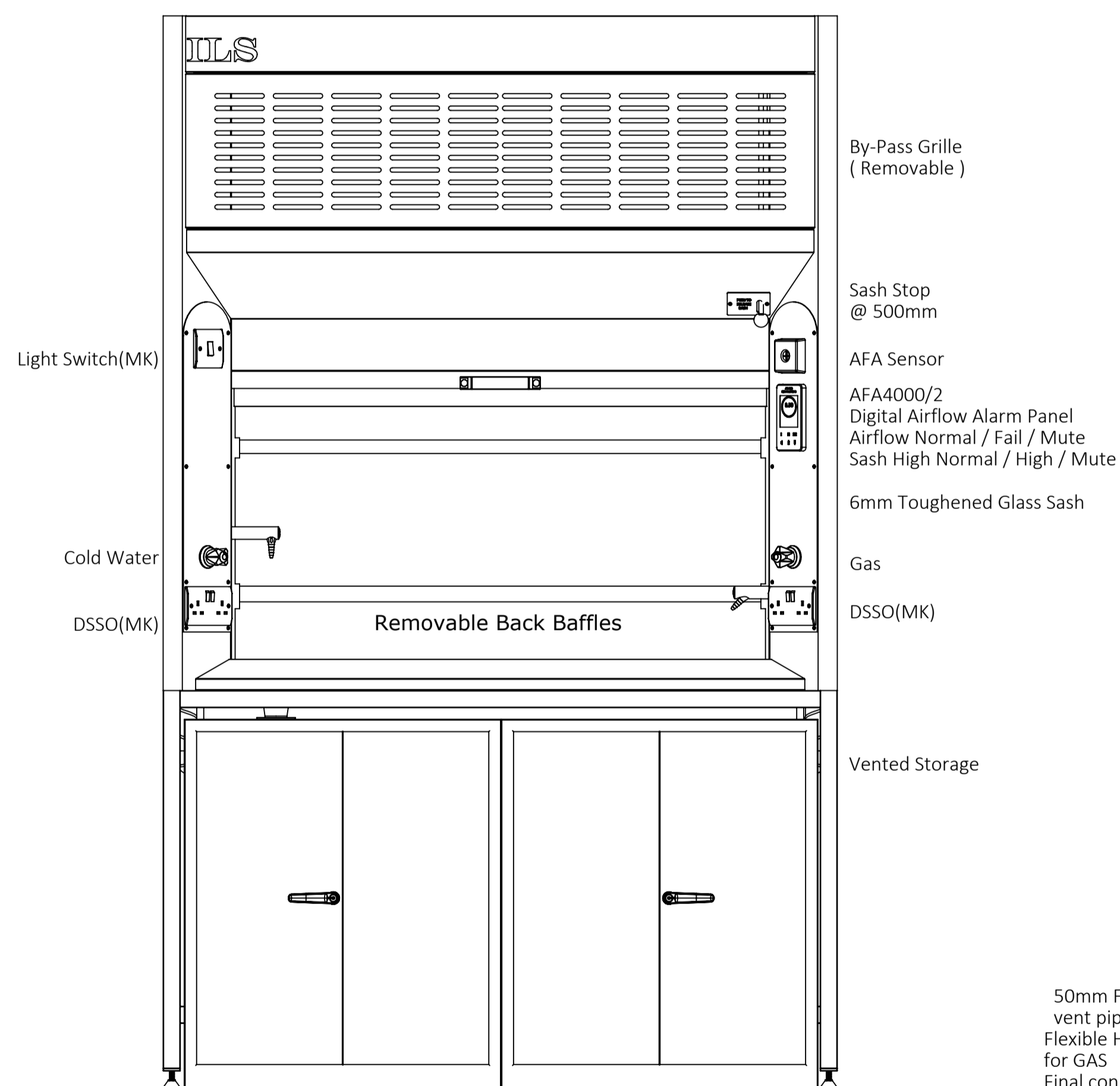
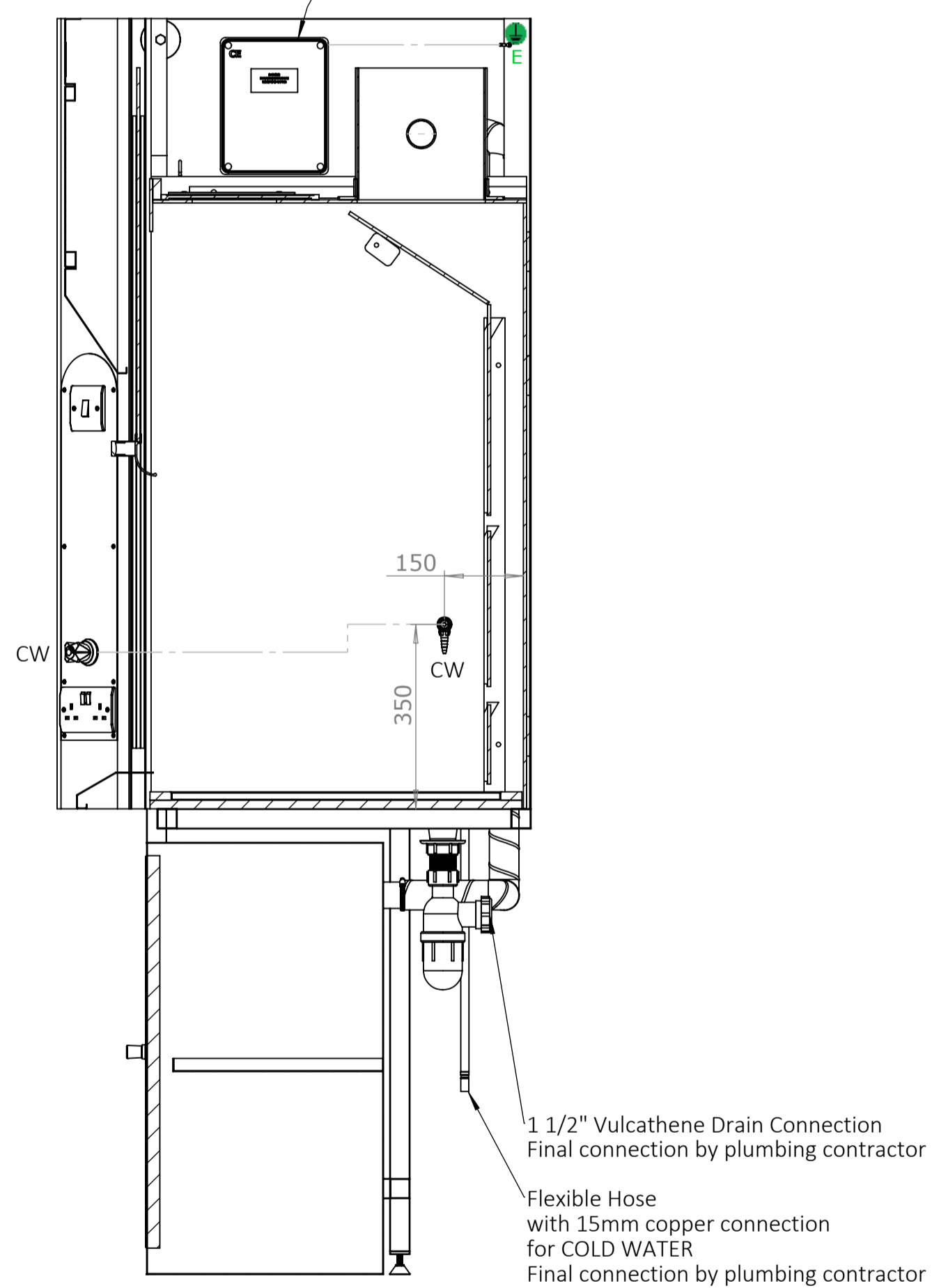
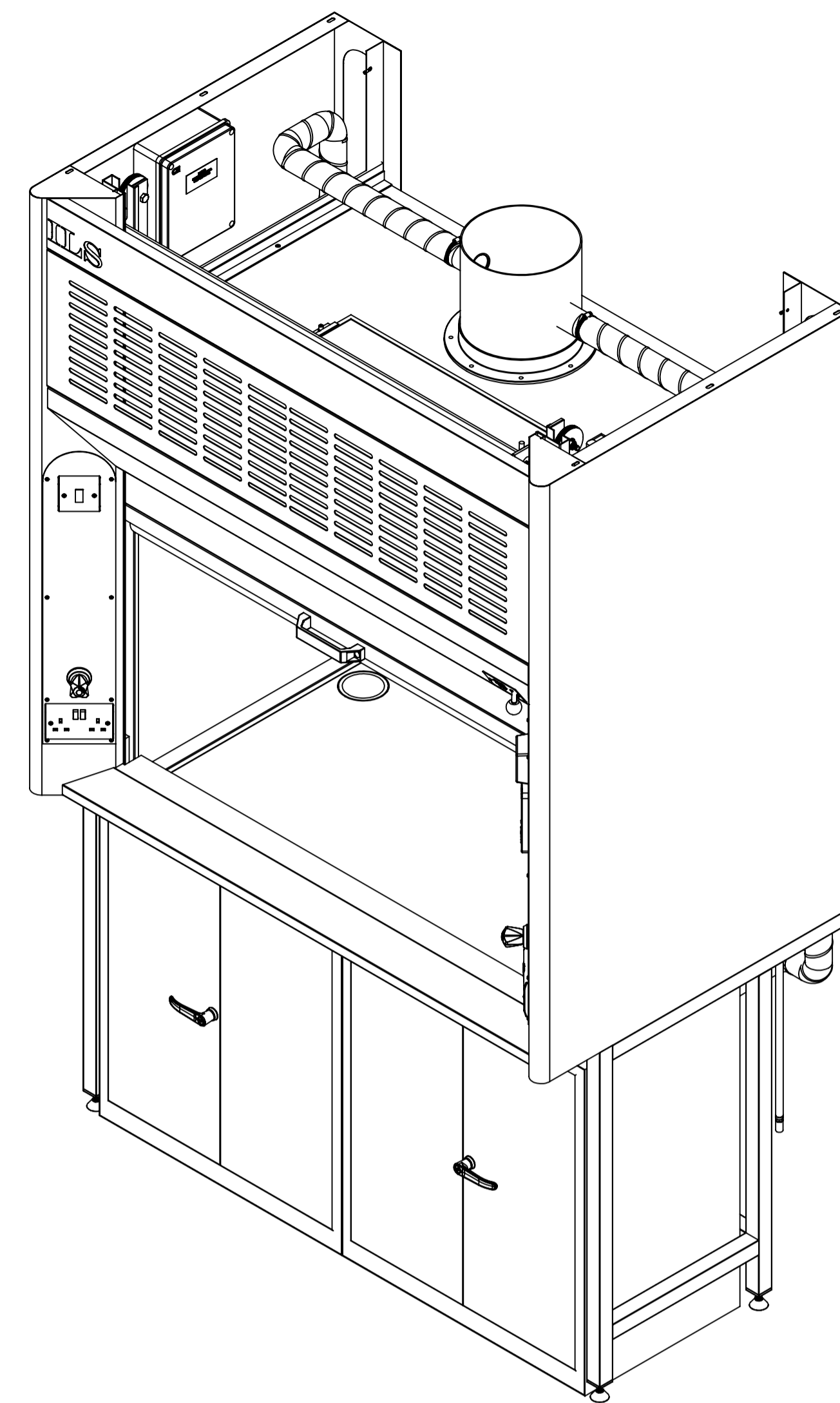


**Isolated 230V / 16A electrical supply required.
Final connections to the junction box by electrical contractor**



Specification

Fume cupboard: Powder coated white RAL 9016
 Support frame: Powder coated white RAL 9016
 Linings: 6mm Trespa TopLab BASE - White E0-00
 Baffles: 6mm Trespa TopLab BASE - White E0-00
 Workbase: 16mm Trespa TopLab BASE - White E0-00
 Sash: 6mm Toughened Glass
 Aerodynamic Sash Handle: Light Grey (RAL 7035)
 Aerodynamic Cill: 316g Stainless Steel
 Storage: Solvent Storage (vented) RAL 9016

Services

2 x Double switched socket outlets
 1 x LED Light panel (4000K) / Light switch
 1 x AFA 4000/2 Alarm panel
 1 x Cold water valve and outlet (BROEN Uniflex)
 1 x W501 Vulcathene drip cup
 1 x W561 Vulcathene bottle trap
 1 X Gas valve and outlet (BROEN Uniflex)

K8 Series
Type Tested to BS EN14175



The Ivy & Juniper Units
 New York Industrial Estate
 Summerbridge
 Harrogate
 North Yorkshire
 HG3 4LA
 01423 781101

	NAME	DATE	SIGNATURE
DRAWN	Tony Cox	25/02/2025	
CHK'D	James Cox		
APPV'D			

DO NOT SCALE DRAWING		REVISION
Client:		*****
1 X 1500mm K8 Fume Cupboard		
Project: TBC		
Dwg No:	A1	
K8 Fume Cupboard		
Scale: 1:10		